

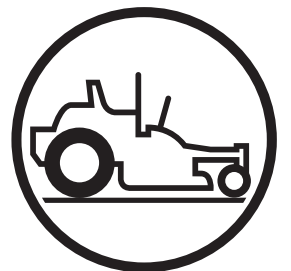
Parts Manual

LSZ4622 / 965880801

LSZ5424 / 965880901

LSZ5422 / 965881001

Please read the operator's manual carefully and make sure you understand the instructions before using the machine.



English

When you need spare parts or support in service questions, warranty issues, etc., please consult the following professional:

This Parts Manual belongs to the machine with the manufacturing number:	Engine	Transmission

Manufacturing Number

The machine's manufacturing number can be found on the printed plate affixed to the engine compartment.

Stated on the plate, from the top are:

- The machine's type designation (I.D.).
- The manufacturer's type number (Model).
- The machine's serial number (Serial no.)

Please have the type designation and serial number available when ordering spare parts.

The engine's manufacturing number is stamped on one of the valve covers.

The plate states:

- The engine's model.
- The engine's type.
- Code

Please have these available when ordering spare parts.

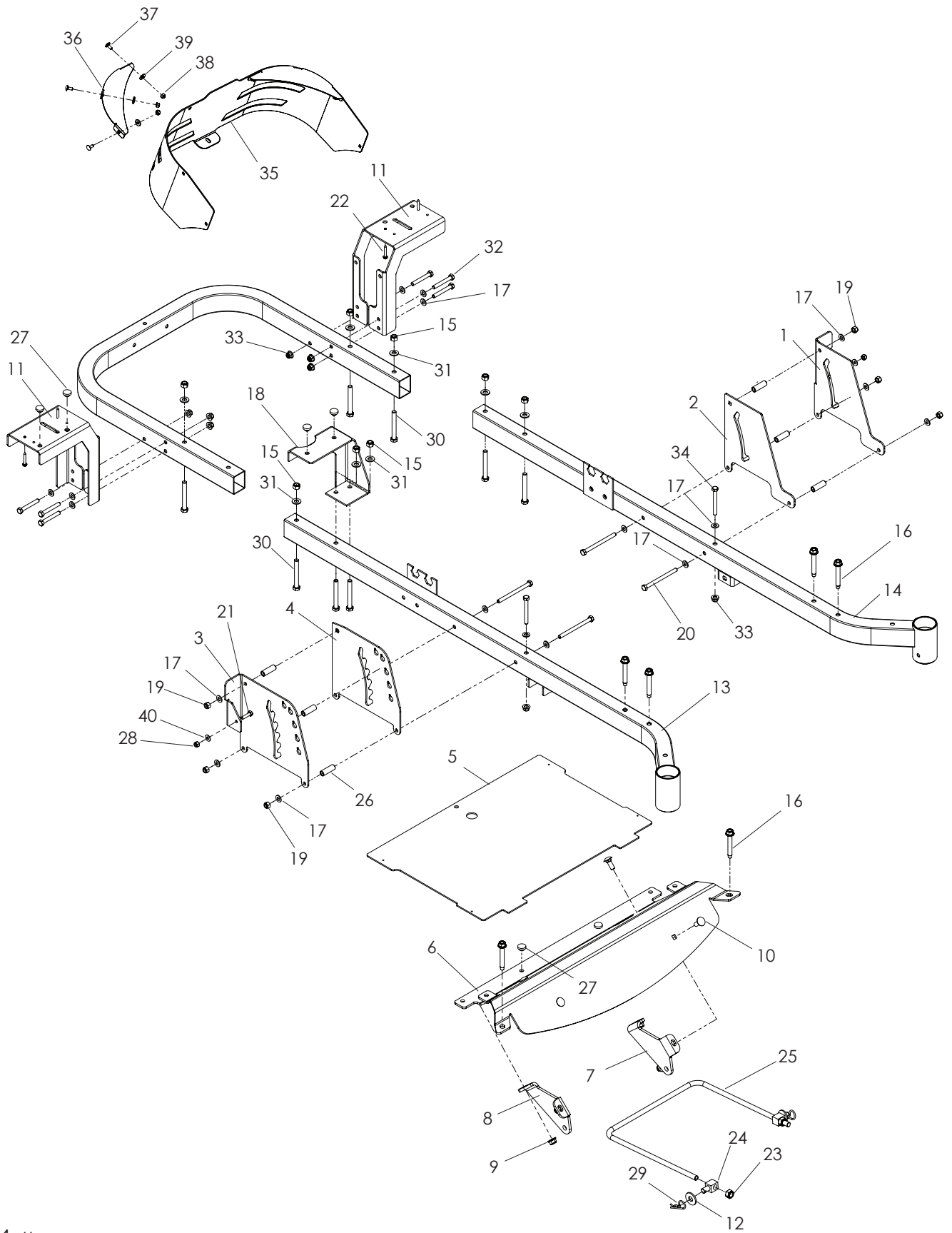
The wheel motors and hydrostatic pumps have a barcode decal affixed at the rear.

CONTENTS

CHASSIS / FRAME	4	HYDRAULIC PUMP - MOTOR	
ENGINE PLATE		965880801, 965881001	20
965880801, 965881001	6	965880901	22
965880901	8	WHEELS AND TIRES	24
STEERING		46" DECK	26
965880801, 965881001	10	54" DECK	28
965880901	12	SEAT	30
IGNITION.....	14	DECALS	32
BRAKE / LIFT			
965880801, 965881001	16		
965880901	18		

NOTE: ALL FASTENERS ARE GRADE 5 UNLESS OTHERWISE SPECIFIED.

CHASSIS / FRAME

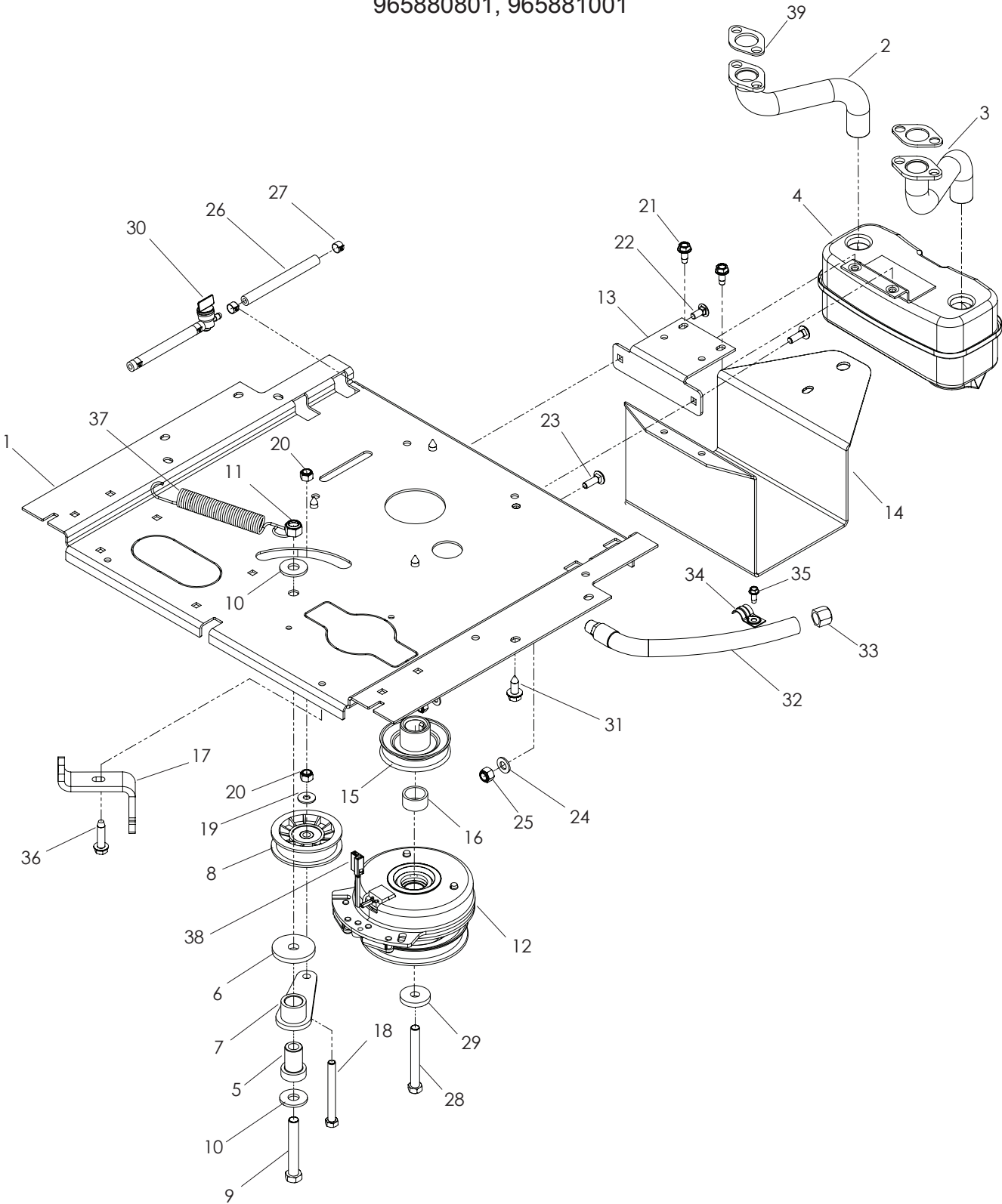


CHASSIS / FRAME

ITEM	PART NO.	QTY.	DESCRIPTION	ITEM	PART NO.	QTY.	DESCRIPTION
1..	510 261802....	1....	PLATE, OUTER BRAKE	21..	539 977761....	2....	HCS ¼-20 x 1
2..	510 206703....	1....	PLATE, BRAKE LATCH	22..	539 110674....	4....	SCREW 10-12 x 1½ WSH HD
3..	510 245602....	1....	PLATE, OUTER HEIGHT	23..	539 119124....	2....	NUT 7/16-14 HEX NYLOC
4..	510 240502....	1....	PLATE, INNER HEIGHT	24..	539 114789....	2....	SWIVEL
5..	522 842901....	1....	FOOT PLATE w/DECALS	25..	521 938101....	1....	LINK, FRONT SUSPENSION
6..	522 719502....	1....	FOOT REST	26..	515 988101....	6....	SPACER ½ OD x 1½
7..	522 443302....	1....	MOUNT, STRUT, RT	27..	539 102587....	4....	GROMMET, BUMPER
8..	522 443304....	1....	MOUNT, STRUT, LT	28..	539 976978....	4....	NUT ¼-20 HEX NYLOC
9..	521 996501....	4....	NUT ¾-16 HEX FLG NYLOC	29..	539 976989....	2....	HAIRPIN
10..	539 990645....	4....	RHSNB ¾-16 x 1	30..	539 101341....	8....	HCS ¾-16 x 3
11..	510 225902....	2....	SUPPORT, FENDER	31..	539 990122....	8....	WASHER ¾ SAE FLAT
12..	539 109554....	2....	WASHER ½ FLAT	32..	539 976938....	8....	HCS 5/16-18 x 2¼
13..	510 177503....	1....	FRAME, FRONT RT	33..	539 112899....	8....	NUT 5/16-18 FLANGE NYLOC
14..	510 177403....	1....	FRAME, FRONT LT	34..	539 101721....	2....	HCS 5/16-18 x 2¾
15..	539 976979..	14....	NUT ¾-16 HEX NYLOC	35..	516 016302....	1....	GUARD, WIDE ENGINE
16..	539 111976....	6....	BOLT ¾-16 x 2½ THD FRM	36..	516 016402....	1....	SUPPORT, CORNER
17..	539 990188..	18....	WASHER 5/16 SAE FLAT	37..	539 111786....	6....	RHSSNB ¼-20 x 5/8
18..	510 226002....	1....	SUPPORT, TANK	38..	539 976978....	6....	NUT ¼-20 HEX NYLOC
19..	539 990717....	6....	NUT 5/16-18 HEX NYLOC	39..	539 990598....	6....	WASHER ¼ FLAT
20..	539 102335....	4....	HCS 5/16-18 x 4	40..	539 990055....	4....	WASHER ¼ FLAT SAE

ENGINE PLATE

965880801, 965881001

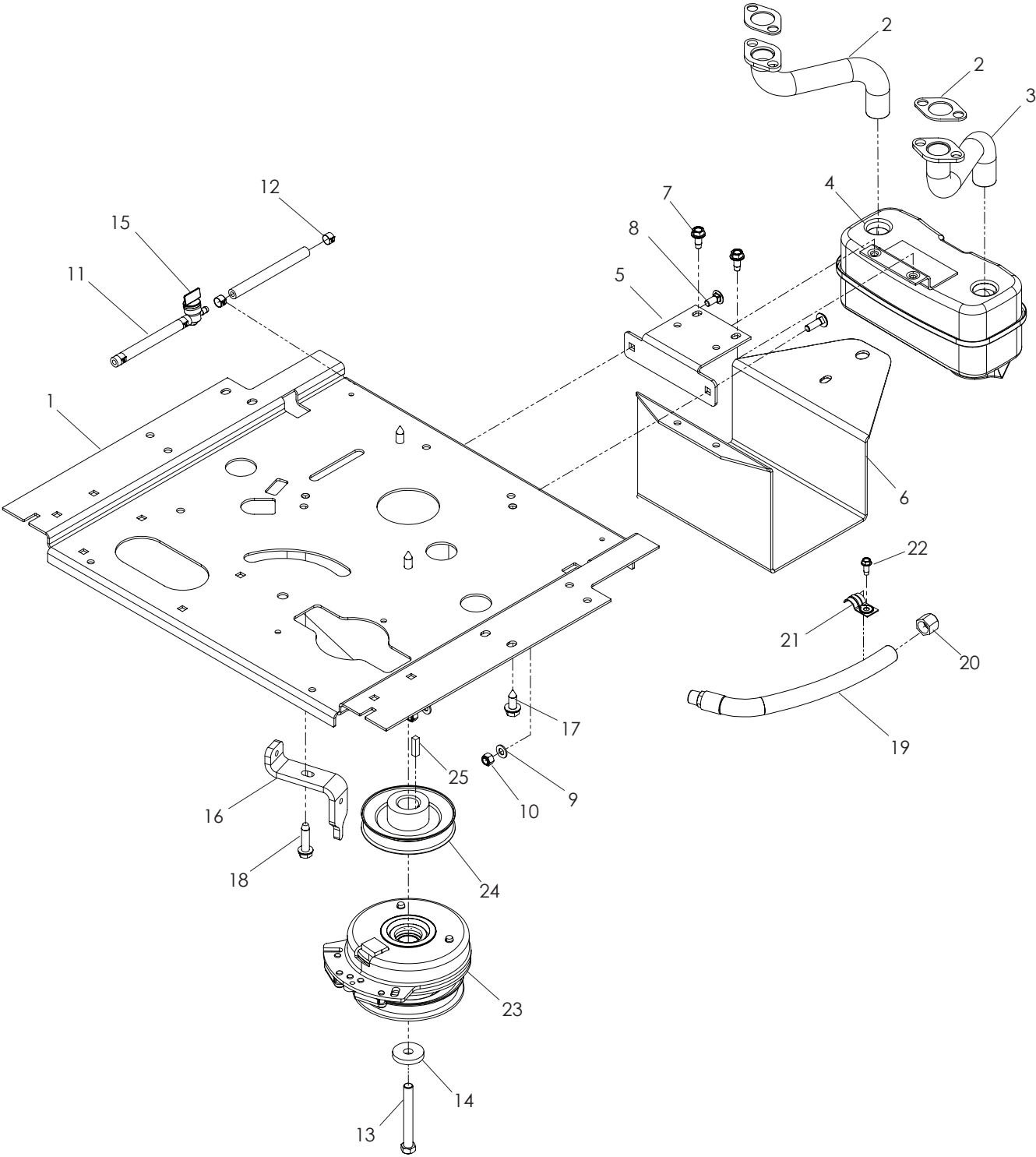


ENGINE PLATE

ITEM	PART NO.	QTY.	DESCRIPTION	ITEM	PART NO.	QTY.	DESCRIPTION
1..	516 007502....	1....	PLATE, ENGINE	21..	539 107475....	2....	BOLT ⁵ / ₁₆ -18 x ³ / ₄ THD FRM
2..	532 159955....	1....	EXHAUST TUBE, RT	22..	539 990316....	2....	RHSNB ⁵ / ₁₆ -18 x ³ / ₄
3..	532 160589....	1....	EXHAUST TUBE, LT	23..	539 990208....	2....	RHSNB ⁵ / ₁₆ -18 x 1
4..	539 131604....	1....	MUFFLER ASM, TWIN	24..	539 990188....	2....	WASHER ⁵ / ₁₆ SAE FLAT
5..	539 101231....	1....	SPINDLE, IDLER	25..	539 990717....	2....	NUT ⁵ / ₁₆ -18 HEX NYLOC
6..	539 112670....	1....	WASHER, HEAVY	26..	539 110425....	2....	FUEL LINE 5"
7..	539 112092....	1....	IDLER ARM	27..	539 912222....	4....	CLAMP, HOSE
8..	539 110311....	1....	PULLEY, IDLER	28..	539 976944....	1....	HCS ⁷ / ₁₆ -20 x 3 ¹ / ₂
9..	539 103433....	1....	HCS ¹ / ₂ -13 x 3 ¹ / ₄	29..	539 110064....	1....	WASHER, CLUTCH
10..	539 109554....	2....	WASHER ¹ / ₂ FLAT	30..	539 916325....	1....	VALVE, FUEL
11..	539 101331....	1....	NUT ¹ / ₂ -13 HEX NYLOC	31..	532 120616....	3....	HHFS ³ / ₈ -16 x 1 THD FRM
12..	505 287301....	1....	CLUTCH	32..	539 101362....	1....	HOSE, DRAIN
13..	510 260402....	1....	BRACKET, MUFFLER	33..	539 101364....	1....	PLUG, OIL
14..	510 260502....	1....	GUARD, MUFFLER	34..	539 101363....	1....	CLAMP
15..	539 114530....	1....	PULLEY, ENGINE	35..	539 990362....	1....	SCREW ¹ / ₄ -20 x ⁵ / ₈ SLF TAP
16..	539 112252....	1....	SPACER	36..	539 110025....	1....	BOLT ³ / ₈ -16 x 1 ¹ / ₂ THD FRM
17..	522 459702....	1....	STOP, CLUTCH	37..	532 196105....	1....	SPRING, DECK DRIVE
18..	539 109389....	1....	HCS ³ / ₈ -16 x 3 ¹ / ₂ TPBLT	38..	539 105637....	1....	HARNES, CLUTCH
19..	539 990692....	2....	WASHER ⁵ / ₁₆ STD FLAT	39..	539 108199....	2....	GASKET, EXHAUST
20..	539 976979....	2....	NUT ³ / ₈ -16 HEX NYLOC				

ENGINE PLATE

965880901

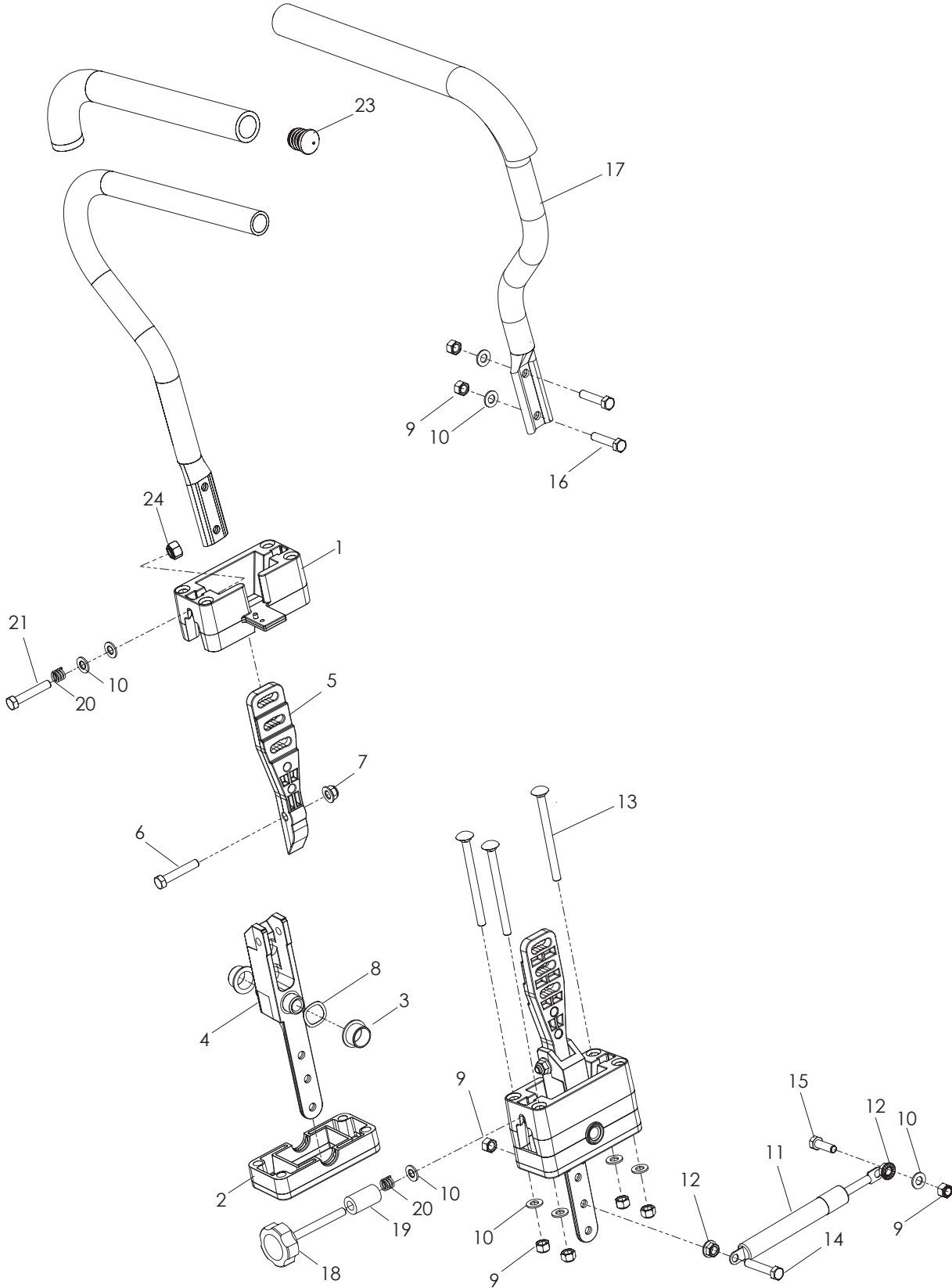


ENGINE PLATE

ITEM	PART NO.	QTY.	DESCRIPTION	ITEM	PART NO.	QTY.	DESCRIPTION
1..	516 007502....	1....	PLATE, ENGINE	15..	539 916325....	1....	VALVE, FUEL
2..	532 146699....	1....	EXHAUST TUBE, RT	16..	522 459702....	1....	STOP, CLUTCH
3..	532 146700....	1....	EXHAUST TUBE, LT	17..	532 120616....	3....	HHFS ³ / ₈ -16 x 1 THD FRM
4..	539 131604....	1....	MUFFLER ASM TWIN	18..	539 110025....	1....	BOLT ³ / ₈ -16 x 1½ THD FRM
5..	510 260402....	1....	BRACKET, MUFFLER	19..	539 101362....	1....	HOSE, DRAIN
6..	510 260502....	1....	GUARD, MUFFLER	20..	539 101364....	1....	PLUG, OIL
7..	539 107475....	2....	BOLT ⁵ / ₁₆ -18 x ³ / ₄ THD FRM	21..	539 101363....	1....	CLAMP
8..	539 990316....	2....	RHSNB ⁵ / ₁₆ -18 x ³ / ₄	22..	539 990362....	1....	SCREW ¹ / ₄ -20 x ⁵ / ₈ SLF TAP
9..	539 990188....	2....	WASHER ⁵ / ₁₆ SAE FLAT	23..	505 287301....	1....	CLUTCH, 105 FT/LBS
10..	539 990717....	2....	NUT ⁵ / ₁₆ -18 HEX NYLOC	24..	539 109639....	1....	PULLEY, DRIVE
11..	539 110425....	2....	FUEL LINE 5"	25..	539 105308....	1....	KEY ¹ / ₄ SQ x 1
12..	539 912222....	4....	CLAMP, HOSE	26..	539 990247....	1....	WASHER ⁷ / ₁₆ SLW
13..	539 976944....	1....	HCS ⁷ / ₁₆ -20 x 3½	27..	539 108199....	2....	GASKET, EXHAUST
14..	539 110064....	1....	WASHER, CLUTCH	NOT SHOWN			
					539 105637 ...	1....	HARNESS, CLUTCH

STEERING

965880801, 965881001

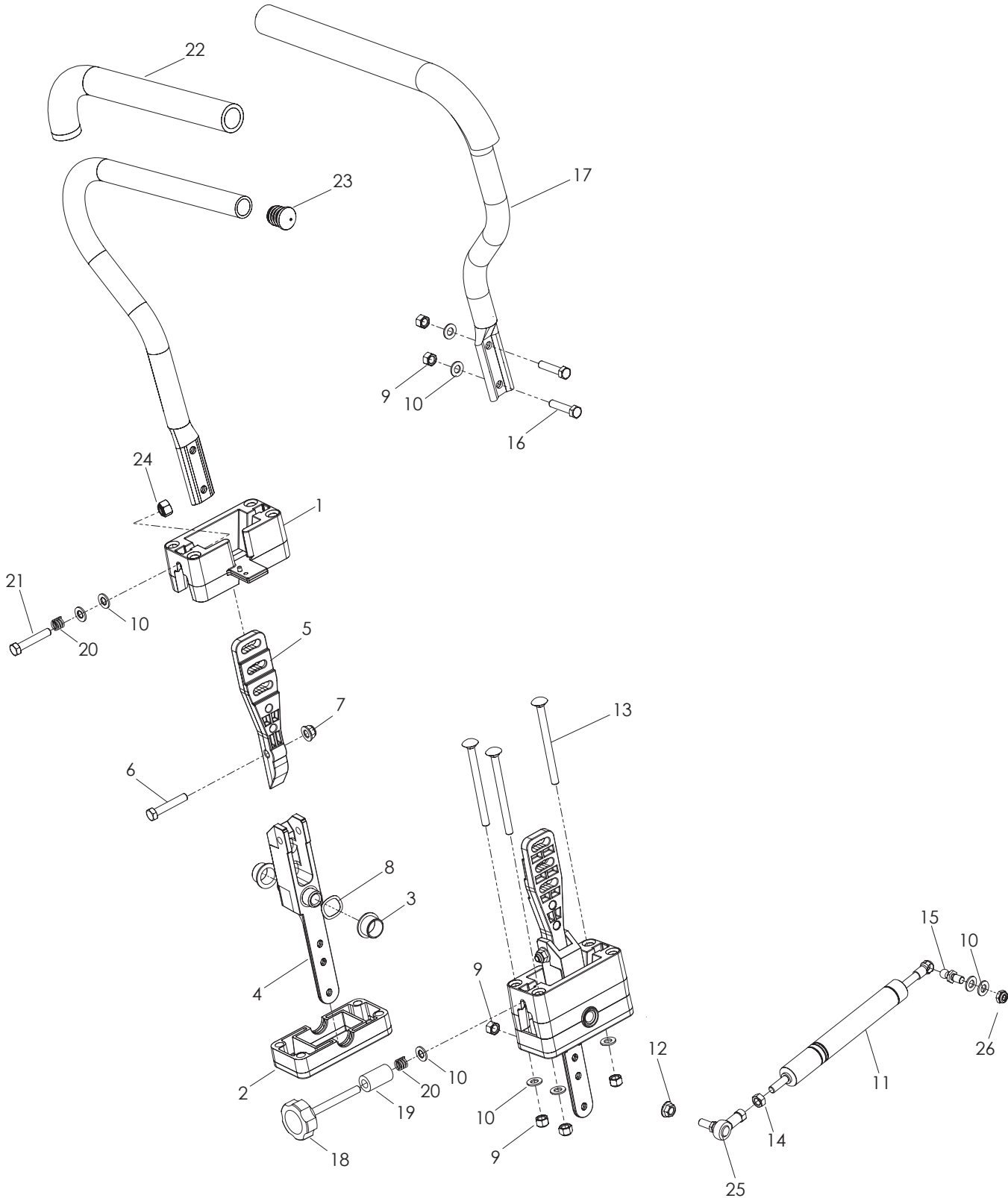


STEERING

ITEM	PART NO.	QTY.	DESCRIPTION	ITEM	PART NO.	QTY.	DESCRIPTION
1..	539 131517....	2....	BLOCK, UPPER	13..	510 422601....	6....	RHSNB $\frac{5}{16}$ -18 x 4
2..	539 131519....	2....	BLOCK, LOWER	14..	539 108394....	2....	HCS $\frac{5}{16}$ -18 x 1 $\frac{3}{4}$ TPBLT
3..	539 131518....	4....	BEARING, FLANGE	15..	539 990209....	2....	HCS $\frac{5}{16}$ -18 x 1
4..	522 452901....	2....	PIVOT SECTION, DRIVE	16..	539 976935....	4....	HCS $\frac{5}{16}$ -18 x 1 $\frac{1}{2}$
5..	539 131521....	2....	MOUNT, DRIVE CONTROL	17..	539 132011....	2....	LEVER, w/GRIP
6..	539 990669....	2....	HCS $\frac{5}{16}$ -18 x 1 $\frac{3}{4}$	18..	521 982601....	1....	KNOB
7..	539 112899....	2....	NUT $\frac{5}{16}$ -18 FLANGE NYLOC	19..	539 104530....	1....	SPACER
8..	539 133007....	2....	WASHER, .825 x 1.087 WAVE	20..	539 102845....	1....	SPRING
9..	539 990717..	12....	NUT $\frac{5}{16}$ -18 HEX NYLOC	21..	539 108395....	1....	HCS $\frac{5}{16}$ -18 x 2 TPBLT
10..	539 990188..	12....	WASHER $\frac{5}{16}$ SAE FLAT	22..	539 122635....	2....	GRIP, FOAM
11..	539 102720....	2....	DAMPENER	23..	539 122636....	2....	PLUG, END
12..	539 990585....	4....	NUT $\frac{5}{16}$ -18 HEX WHIZLK	24..	539 990196....	2....	NUT $\frac{5}{16}$ -18 HEX

STEERING

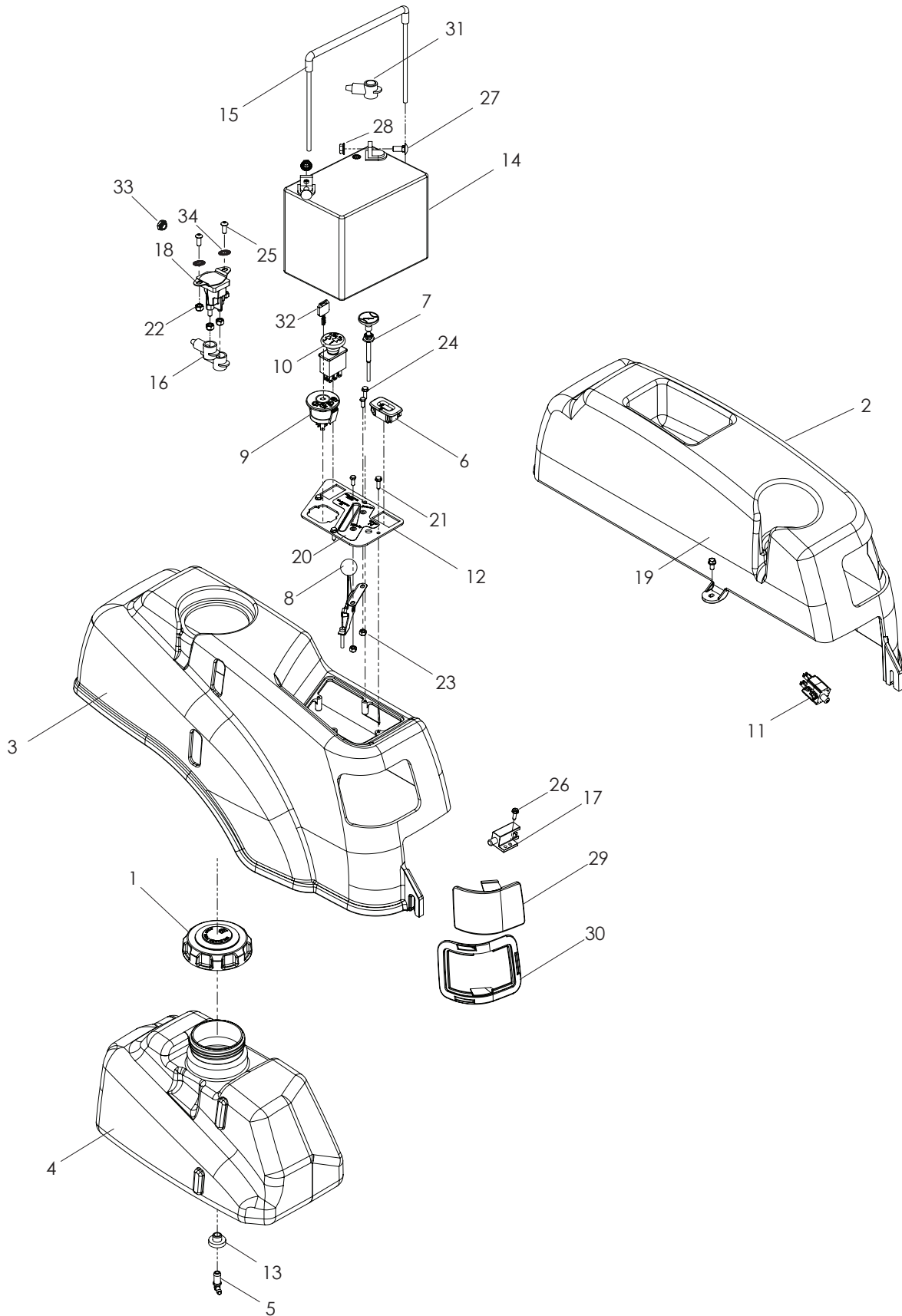
965880901



STEERING

ITEM	PART NO.	QTY.	DESCRIPTION	ITEM	PART NO.	QTY.	DESCRIPTION
1..	539 131517....	2....	BLOCK, UPPER	14..	539 127046....	2....	NUT M8 x 1½ HEX
2..	539 131519....	2....	BLOCK, LOWER	15..	539 110607....	2....	BALL STUD 10mm
3..	539 131518....	4....	BEARING, FLANGE	16..	539 976935....	4....	HCS 5/16-18 x 1½
4..	522 452901....	2....	PIVOT SECTION, DRIVE	17..	539 132011....	2....	LEVER, w/GRIP
5..	539 131521....	2....	MOUNT, DRIVE CONTROL	18..	521 982601....	1....	KNOB
6..	539 990669....	2....	HCS 5/16-18 x 1¾	19..	539 104530....	1....	SPACER
7..	539 112899....	2....	NUT 5/16-18 FLANGE NYLOC	20..	539 102845....	1....	SPRING
8..	539 133007....	2....	WASHER, .825 x 1.087 WAVE	21..	539 108395....	1....	HCS 5/16-18 x 2 TPBLT
9..	539 990717..	12....	NUT 5/16-18 HEX NYLOC	22..	539 122635....	2....	GRIP, FOAM
10..	539 990188..	12....	WASHER 5/16 SAE FLAT	23..	539 122636....	2....	PLUG, END
11..	539 131658....	2....	DAMPENER w/SPRING	24..	539 990196....	2....	NUT 5/16-18 HEX
12..	539 990585....	2....	NUT 5/16-18 HEX WHIZLK	25..	539 131749....	2....	ROD END
13..	510 422601....	6....	RHSNB 5/16-18 x 4	26..	539 115617....	2....	NUT 5/16-18 HEX NYL THIN

IGNITION

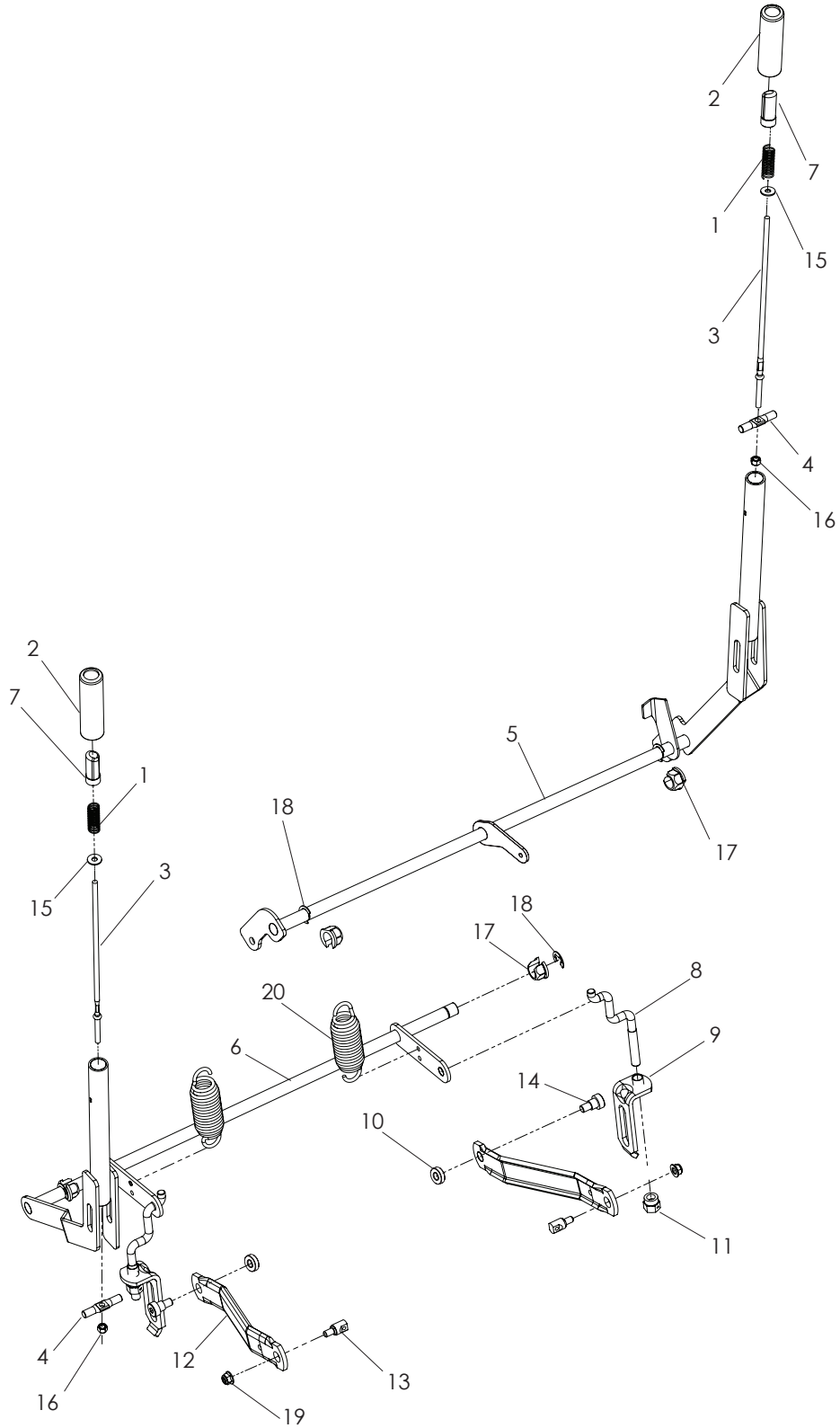


IGNITION

ITEM	PART NO.	QTY.	DESCRIPTION	ITEM	PART NO.	QTY.	DESCRIPTION
1..	539 130393....	1....	CAP, FUEL	22..	539 976978....	6....	NUT ¼-20 HEX NYLOC
2..	539 130374....	1....	FENDER, LT	23..	539 976977....	2....	NUT 10-24 HEX NYLOC
3..	539 130375....	1....	FENDER, RT	24..	539 110673....	4....	SCREW 10-12 x ¾ WSH HD
4..	539 110252....	1....	TANK, FUEL	25..	539 111229....	2....	SCREW ¼-20 x 5/8 BTN SKT
5..	539 110432....	1....	ELBOW, TANK	26..	539 991034....	2....	SCREW 10-24 x 5/8 WSH HD
6..	539 110074....	1....	HOUR METER	27..	539 990316....	2....	RHSNB 5/16-18 x ¾
7..	539 130209....	1....	CONTROL, CHOKE	28..	539 990585....	2....	NUT 5/16-18 HEX WHIZLK
8..	539 112734....	1....	CABLE, THROTTLE	29..	539 110056....	1....	LENS, LT
9..	539 107541....	1....	SWITCH, IGNITION		539 110057....	1....	LENS, RT
10..	539 101768....	1....	SWITCH, CLUTCH	30..	539 110455....	1....	LENS RIM, LT
11..	539 113792....	1....	SWITCH, BRAKE		539 110451....	1....	LENS RIM, RT
12..	539 112735....	1....	PLATE, CONTROL	31..	539 102759....	1....	INSULATOR
13..	539 105245....	1....	GROMMET, RUBBER	32..	539 107544....	1....	KEY, IGNITION
14..	539 102436....	1....	BATTERY	33..	539 108120....	1....	NUT ¼-20 HEX NYLOC THIN
15..	539 131209....	1....	TIE DOWN, BATTERY	34..	539 990053....	2....	WASHER ¼ ITLW
16..	539 116400....	4....	COVER, TERMINAL				NOT SHOWN
17..	539 101080....	2....	SWITCH, INTERLOCK		539 103306....	2....	POSITIVE CABLE, LONG
18..	539 101714....	1....	SOLENOID		539 110068....	1....	BATTERY CABLE NEGATIVE
19..	539 108461....	2....	BOLT ¼-20 x ½ HWST		515 980501....	1....	HARNESS, WIRING
20..	539 112740....	1....	DECAL, CONSOLE				
21..	539 990411....	2....	SCREW 10-24 x ½ SLT HD				

BRAKE / LIFT

965880801, 965881001

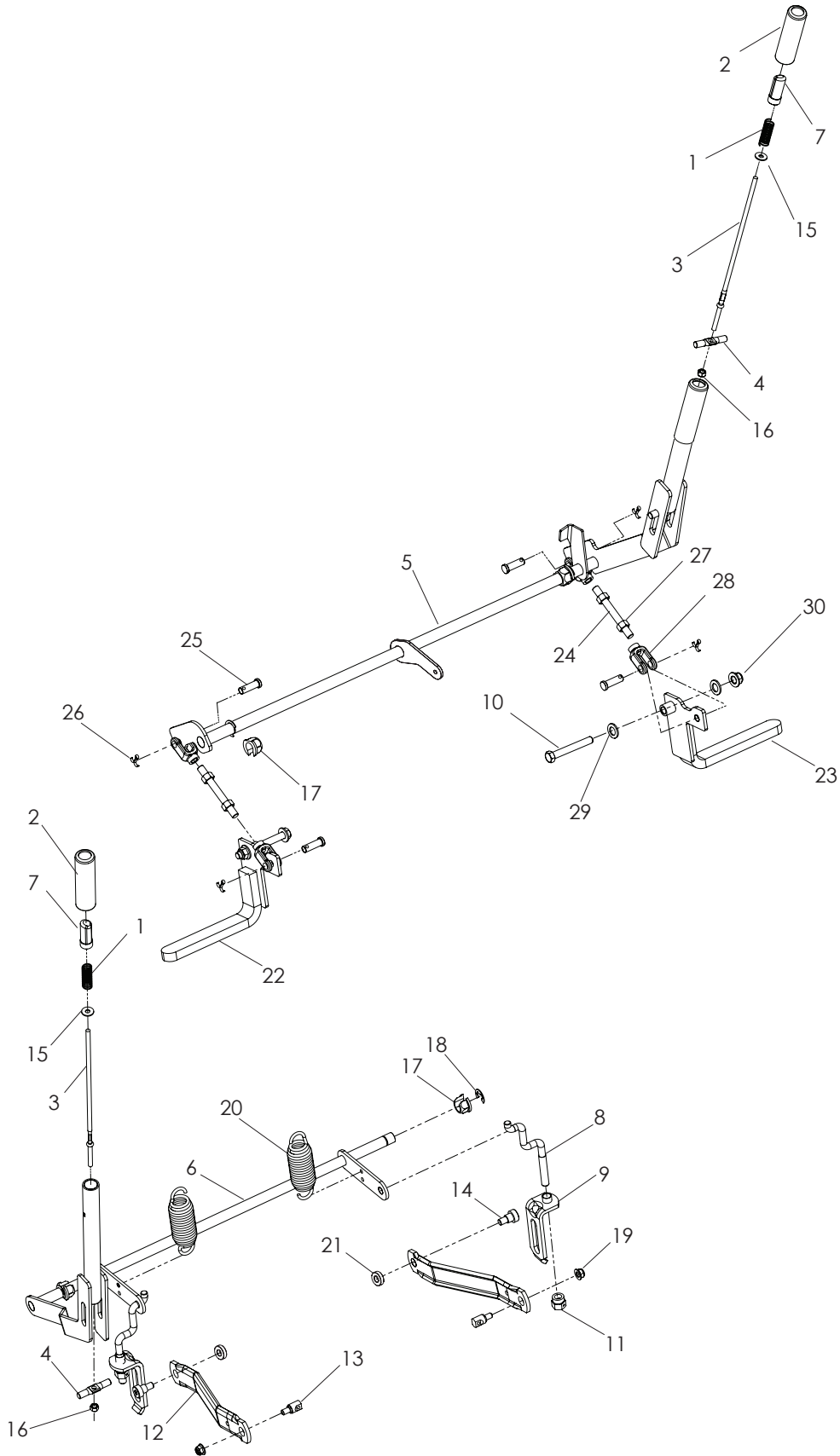


BRAKE / LIFT

ITEM	PART NO.	QTY.	DESCRIPTION	ITEM	PART NO.	QTY.	DESCRIPTION
1..	510 030701....	2....	SPRING, COMPRESSION	11..	532 175994....	2....	NUT, LIFT LINK
2..	510 207201....	2....	GRIP, HANDLE	12..	532 195185....	2....	ARM, SUSPENSION RR
3..	510 422901....	2....	ROD, HANDLE RELEASE	13..	532 195161....	2....	STUD, w/ANTI- ROTATE
4..	516 008801....	1....	ROD, LATCH RELEASE	14..	539 113621....	2....	BOLT $\frac{3}{8}$ -16 x $\frac{3}{8}$ SKT HD
5..	522 710802....	1....	SHAFT, BRAKE	15..	539 990598....	1....	WASHER $\frac{1}{4}$ FLAT
6..	522 823602....	1....	SHAFT, LIFT	16..	539 976978....	2....	NUT $\frac{1}{4}$ -20 HEX NYLOC
7..	510 207301....	2....	BUTTON, PUSH	17..	510 184901....	4....	PLASTIC NUT
8..	510 185301....	2....	LINK, REAR SUSPENSION	18..	539 105069....	4....	E-RING
9..	522 858601....	2....	BRACKET, CENTERING LNK	19..	539 112899....	2....	NUT $\frac{5}{16}$ -18 FLANGE NYLOC
10..	539 111690....	2....	SPACER	20..	539 118762....	2....	SPRING

BRAKE / LIFT

965880901



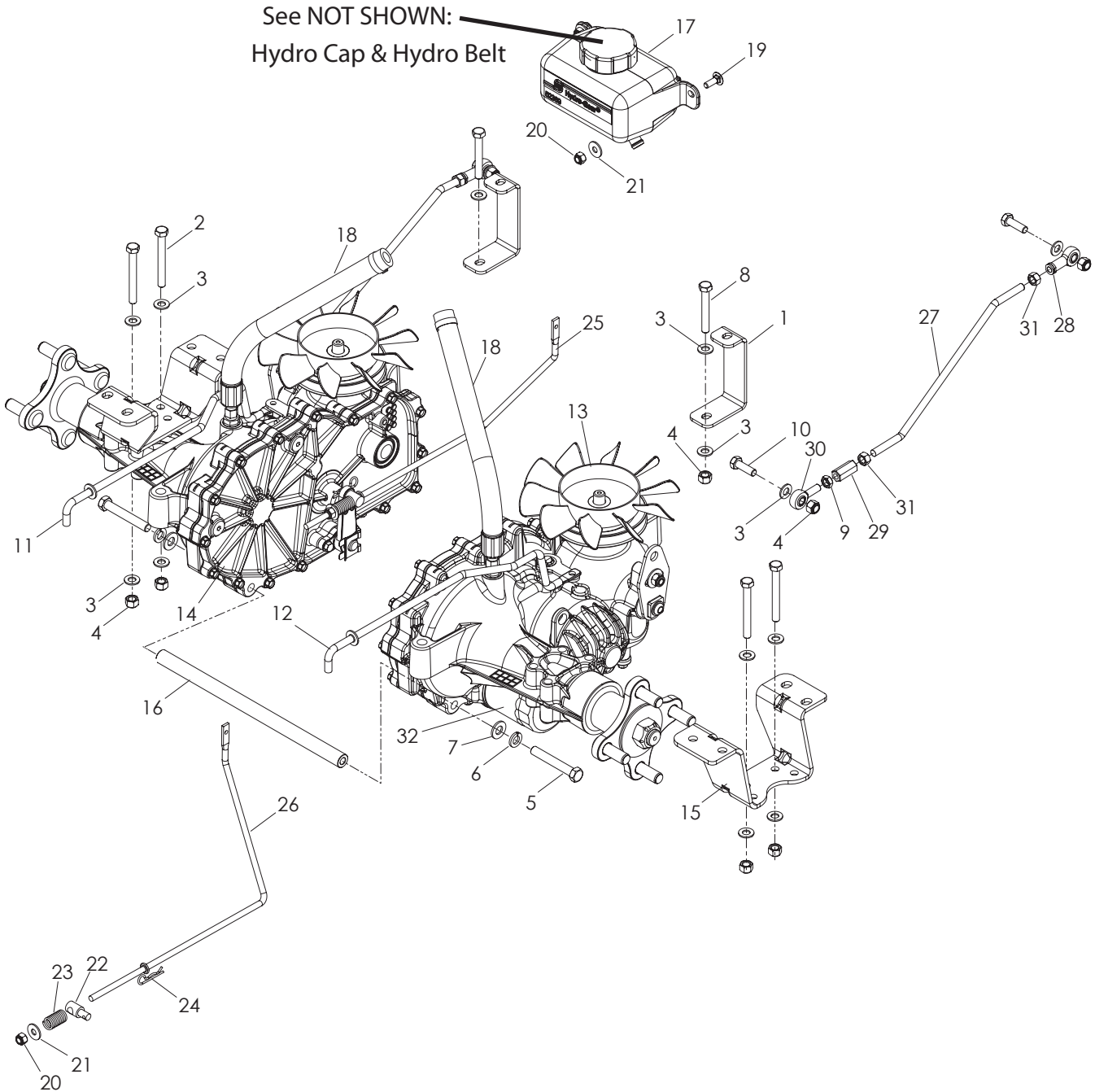
BRAKE / LIFT

ITEM	PART NO.	QTY.	DESCRIPTION	ITEM	PART NO.	QTY.	DESCRIPTION
1..	510 030701....	2....	SPRING, COMPRESSION	16..	539 976978....	2....	NUT 1/4-20 HEX NYLOC
2..	510 207201....	2....	GRIP, HANDLE	17..	510 184901....	4....	PLASTIC NUT
3..	510 422901....	2....	ROD, HANDLE RELEASE	18..	539 105069....	4....	E-RING
4..	516 008801....	1....	ROD, LATCH RELEASE	19..	539 112899....	2....	NUT 5/16-18 FLANGE NYLOC
5..	522 710802....	1....	SHAFT, BRAKE	20..	539 118762....	2....	SPRING
6..	522 823602....	1....	SHAFT, LIFT	21..	539 111690....	2....	SPACER
7..	510 207301....	2....	BUTTON, PUSH	22..	510 184802....	1....	BRAKE, RT
8..	510 185301....	2....	LINK, REAR SUSPENSION	23..	510 184702....	1....	BRAKE, LT
9..	522 858601....	2....	BRACKET, CENTERING LNK	24..	510 207401....	2....	ROD, THRD 3/8-24
10..	539 101341....	2....	HCS 3/8-16 x 3	25..	539 977703....	4....	CLEVIS PIN
11..	532 175994....	2....	NUT, LIFT LINK	26..	539 990365....	4....	PIN, COTTER 1/8 x 3/4
12..	532 195185....	2....	ARM, SUSPENSION RR	27..	539 990155....	4....	NUT 3/8-24 HEX GR2
13..	532 195161....	2....	STUD, w/ANTI- ROTATE	28..	510 207501....	4....	YOKE 3/8 SHORT
14..	539 113621....	2....	BOLT 3/8-16 x 3/8 SKT HD	29..	539 990122....	2....	WASHER 3/8 SAE FLAT
15..	539 990598....	1....	WASHER 1/4 FLAT	30..	539 200282....	2....	NUT 3/8-16 HEX JAM NYLOC

HYDRAULIC PUMP - MOTOR

965880801, 965881001

See NOT SHOWN:
Hydro Cap & Hydro Belt



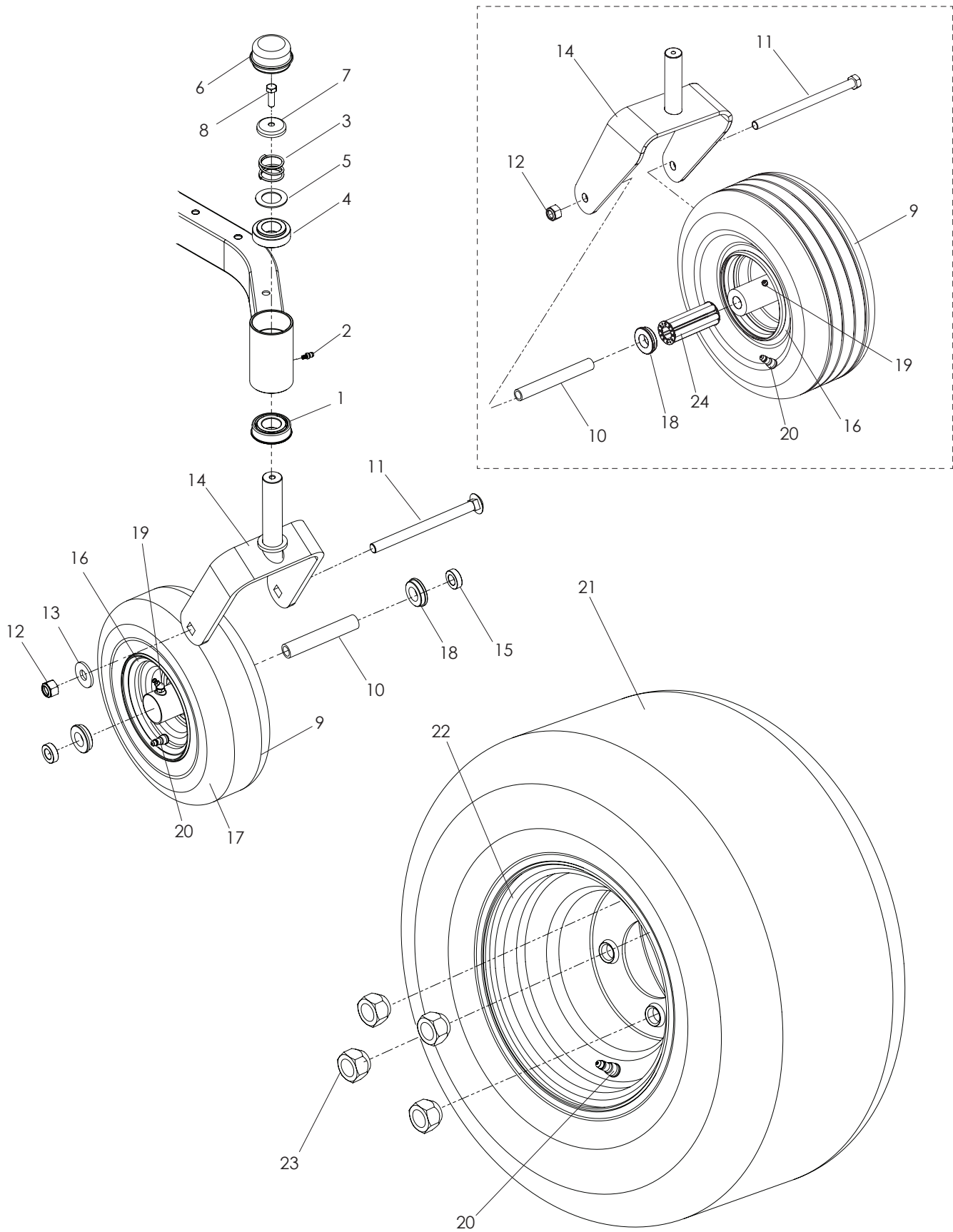
HYDRAULIC PUMP-MOTOR

ITEM	PART NO.	QTY.	DESCRIPTION	ITEM	PART NO.	QTY.	DESCRIPTION
1..	522 460702....	2....	SUPPORT, TRANSMISSION	18..	522 439801....	2....	HOSE ASSM
2..	539 101721....	4....	HCS $\frac{5}{16}$ -18 x $2\frac{3}{4}$	19..	539 990074....	2....	RHSNB $\frac{1}{4}$ -20 x $\frac{3}{4}$ GR2
3..	539 990188..	16....	WASHER $\frac{5}{16}$ SAE FLAT	20..	539 976978....	4....	NUT $\frac{1}{4}$ -20 HEX NYLOC
4..	539 990717..	10....	NUT $\frac{5}{16}$ -18 HEX NYLOC	21..	539 990598....	4....	WASHER $\frac{1}{4}$ FLAT
5..	539 990637....	2....	HCS $\frac{3}{8}$ -16 x $2\frac{1}{2}$	22..	539 112308....	2....	BRAKE SWIVEL
6..	539 990118....	2....	WASHER, $\frac{3}{8}$ SLW	23..	539 101224....	2....	SPRING
7..	539 990122....	2....	WASHER $\frac{3}{8}$ SAE FLAT	24..	539 976988....	2....	HAIRPIN COTTER
8..	539 976938....	2....	HCS $\frac{5}{16}$ -18 x $2\frac{1}{4}$	25..	510 375401....	1....	ROD, EZT BRAKE LT
9..	539 991073....	1....	NUT $\frac{5}{16}$ -24 HEX JAM LH	26..	510 375402....	1....	ROD, EZT BRAKE RT
10..	539 990209....	4....	HCS $\frac{5}{16}$ -18 x 1	27..	522 945001....	1....	ROD, MOTION CONTROL
11..	522 706002....	1....	LINK ARM, BYPASS, RT	28..	539 115729....	1....	ROD END RH
12..	522 706001....	1....	LINK ARM, BYPASS, LT	29..	539 116689....	1....	COUPLER, ROD END
13..	522 447402....	1....	TRANS, ZT-2800 RT	30..	539 116690....	1....	ROD END MALE LH
14..	522 447401....	1....	TRANS, ZT-2800 LT	31..	539 990223....	2....	NUT $\frac{5}{16}$ -24 HEX
15..	510 185102....	2....	EZT MOUNT, REAR	32..	539 113466....	2....	FILTER
16..	510 184103....	1....	SPACER TUBE, EZT	NOT SHOWN			
17..	539 112318....	1....	EXPANSION TANK w/CAP		539 120772 ...	1....	BELT, EZT
					539 112499	1	Hydro Cap

HYDRAULIC PUMP-MOTOR

ITEM	PART NO.	QTY.	DESCRIPTION	ITEM	PART NO.	QTY.	DESCRIPTION
1..	539 131657....	1....	PUMP, DUP10S	33..	539 101202....	1....	CAP, OIL
2..	522 718902....	2....	MOUNT, WHEEL MOTOR	34..	539 131528....	1....	NUT, M10-1.5 L/H HEX
3..	522 897002....	2....	BELLCRANK, MOTION	35..	539 131727....	1....	PULLEY, PUMP
4..	515 988501....	1....	RESERVOIR, HYDRAULIC	36..	539 132735....	4....	BUSHING, BAIL ⁵ / ₁₆
5..	522 773701....	2....	ARM, PUMP	37..	539 109303....	4....	RING RETAINING ⁵ / ₁₆ EXT
6..	521 920502....	1....	SUPPORT, RESERVOIR FT	38..	522 428201....	2....	PIN, MOTION
7..	539 106370....	3....	FITTING	39..	522 433101....	1....	LINKAGE, CONTROL LT
8..	521 921101....	1....	LINE, HYD, SUCTION	40..	522 428301....	1....	LINKAGE, CONTROL RT
9..	521 921201....	1....	LINE, HYD, CHARGE	41..	539 105893....	1....	FILTER, OIL
10..	521 921001....	1....	LINE, HYD, CASE	42..	539 112092....	1....	IDLER ARM WLDMT
11..	539 101237....	4....	CONNECTOR, STRAIGHT	43..	539 108346....	1....	HCS ½-13 x 2½
12..	539 103527....	2....	MOTOR	44..	539 109554....	2....	WASHER ½ FLAT
13..	539 105892....	1....	FILTER HEAD	45..	539 101350....	1....	HCS ³ / ₈ -16 x 3 TAPBOLT
14..	521 920402....	1....	SUPPORT, RESERVOIR RR	46..	539 990122....	1....	WASHER, ³ / ₈ SAE FLAT
15..	539 131748....	1....	FITTING, HYD	47..	539 976979....	2....	NUT ³ / ₈ -16 HEX NYLOC
16..	539 101109....	2....	HUB, WHEEL	48..	522 432501....	1....	PIVOT, IDLER
17..	539 101243....	4....	ELBOW 45°	49..	539 106726....	1....	BELT
18..	522 719301....	1....	LINE, HYD, D	50..	539 115278....	1....	PULLEY, IDLER
19..	522 719201....	1....	LINE, HYD, C	51..	539 101977....	1....	SPRING, TRACTION
20..	522 719101....	1....	LINE, HYD, B	52..	539 200282....	1....	NUT ³ / ₈ -16 HEX JAM NYLOC
21..	522 719001....	1....	LINE, HYD, A	53..	539 990613....	1....	NUT ³ / ₈ -16 HEX WHIZLK
22..	539 131895....	1....	PLUG, 6408-6	54..	539 108046....	1....	HCS ³ / ₈ -16 x 1½ TAPBOLT
23..	539 108120....	3....	NUT ¼-20 HEX THIN NYLOC	55..	539 990517....	1....	WASHER ³ / ₈ FLAT STD
24..	539 111777....	3....	RHSSNB ¼-20 x ½	56..	522 433302....	1....	LINKAGE, CONTROL, RR LT
25..	539 107475....	2....	BOLT ⁵ / ₁₆ -18 x ¾ THD FRM	57..	522 433202....	1....	LINKAGE, CONTROL, RR RT
26..	539 112899....	4....	NUT ⁵ / ₁₆ -18 FLANGE NYLOC	58..	539 109758....	8....	NUT ⁵ / ₁₆ -24 TOP LK
27..	539 100472....	4....	RHSNB ⁵ / ₁₆ -18 x 1¼	59..	539 110603....	2....	SPHERICAL ROD END RH
28..	539 101331....	9....	NUT ½-13 HEX NYLOC	60..	539 110604....	2....	SPHERICAL ROD END LH
29..	521 991501....	8....	RHSNB ½-13 x 2½	61..	539 991073....	2....	NUT ⁵ / ₁₆ -24 HEX JAM LH
30..	539 131559....	2....	PIN, SPIRAL ⁵ / ₃₂ x 1½	62..	539 115502....	4....	NUT ⁵ / ₁₆ -24 HEX JAM
31..	539 990052....	2....	WASHER ¼ SLW	63..	522 705503....	1....	SUPPORT, WHEEL MOTOR
32..	539 990072....	2....	HCS ¼-20 x ⁵ / ₈	64..	539 102717....	1....	SCREW ⁵ / ₁₆ -18 x ⁵ / ₈ SET

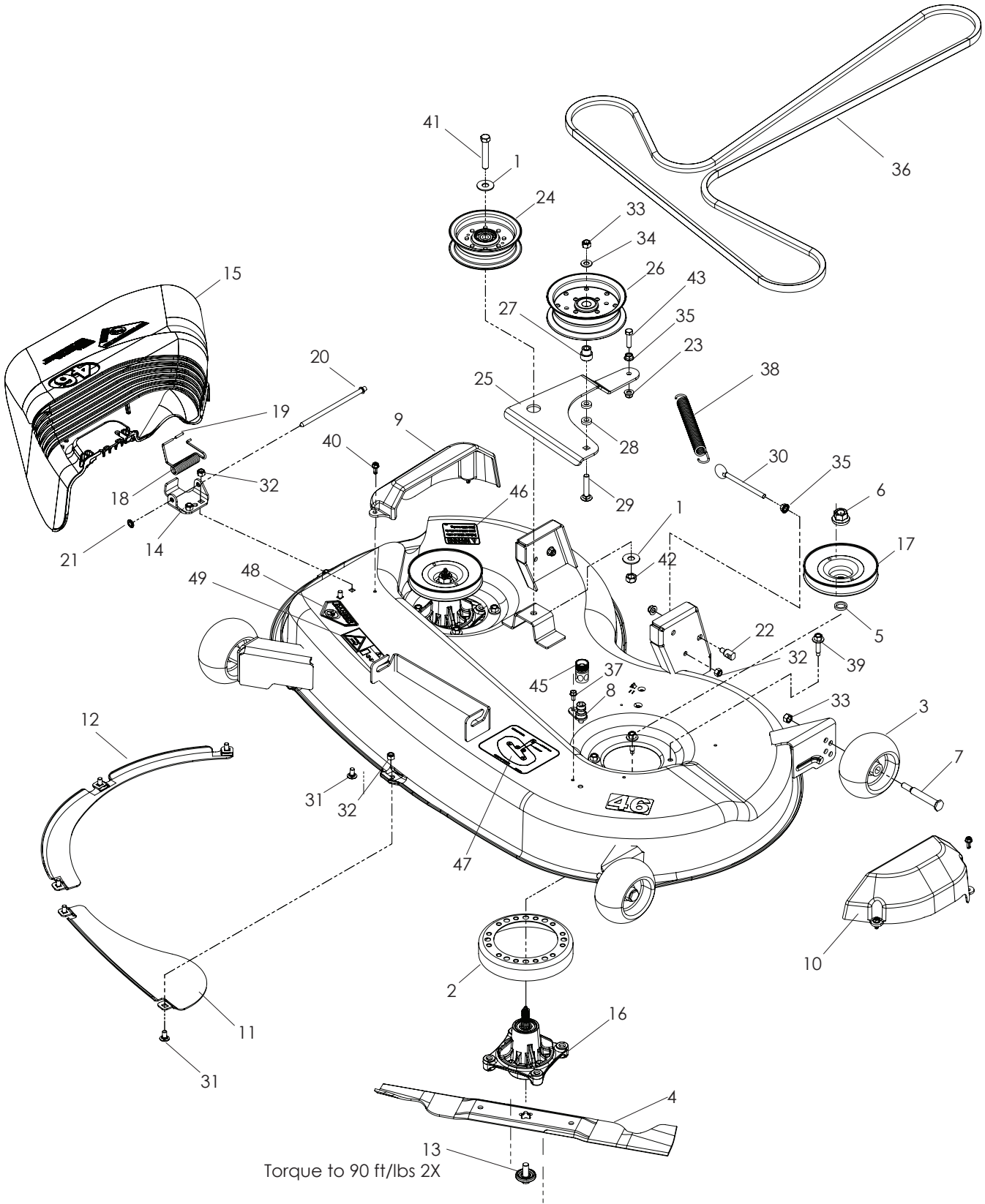
WHEELS AND TIRES



WHEELS AND TIRES

ITEM	PART NO.	QTY.	DESCRIPTION	ITEM	PART NO.	QTY.	DESCRIPTION
1..	539 112660	2....	BEARING, FLANGED	16..	539 106994	2....	RIM 965880801, 965881001
2..	539 115638	2....	ZERK ³ / ₁₆ DRIVE		539 104573	2....	RIM 965880901
3..	539 115747	2....	SPRING, CASTER	17..	539 106995	2....	CASTER TIRE, 410/350 4 PLY 965880801, 965881001
4..	539 117901	2....	BUSHING, CASTER	18..	539 102484	4....	BEARING, FLANGED
5..	539 115675	2....	WASHER	19..	539 103300	2....	ZERK 965880801, 965881001
6..	539 102535	2....	GREASE CAP		539 976997	2....	ZERK 965880901
7..	539 115749	2....	PLUG, CASTER	20..	539 912234	4....	VALVE STEM
8..	539 990209	2....	HCS ⁵ / ₁₆ -18 x 1	21..	516 056501	2....	TIRE, REAR ASSM 22 x 9.5 965880901
9..	539 110333	2....	CASTER TIRE ASSM 965880801, 965881001		516 056601	2....	TIRE ONLY, REAR 22 x 9.5
	539 104572	2....	CASTER TIRE ASSM 965880901		539 131110	2....	TIRE, REAR ASSM 20 x 8 965880801, 965881001
10..	539 105543	2....	SPACER 965880801, 965881001		539 131109	2....	TIRE ONLY, REAR 20 x 8
	539 102856	2....	SPACER 965880901	22..	539 112217	2....	RIM 8 x 7 w/ .8" OFFSET 965880801, 965881001
11..	539 121159	2....	RHSNB ¹ / ₂ -13 x 6 ¹ / ₂ 965880801, 965881001		516 056701	2....	RIM 22 x 9.5-10 965880901
	539 102855	2....	HCS ¹ / ₂ -13 x 7 ¹ / ₂ 965880901	23..	539 101173	8....	NUT ¹ / ₂ -20 LUG
12..	539 101331	2....	NUT ¹ / ₂ -13 HEX NYLOC	24..	539 102485	2....	BEARING 965880901
13..	539 109554	2....	WASHER ¹ / ₂ FLAT				
14..	510 186501	2....	YOKE 965880801, 965881001				
	539 131674	2....	YOKE 965880901				
15..	539 114805	4....	SPACER ⁵ / ₁₆ 965880801, 965881001				

46" DECK



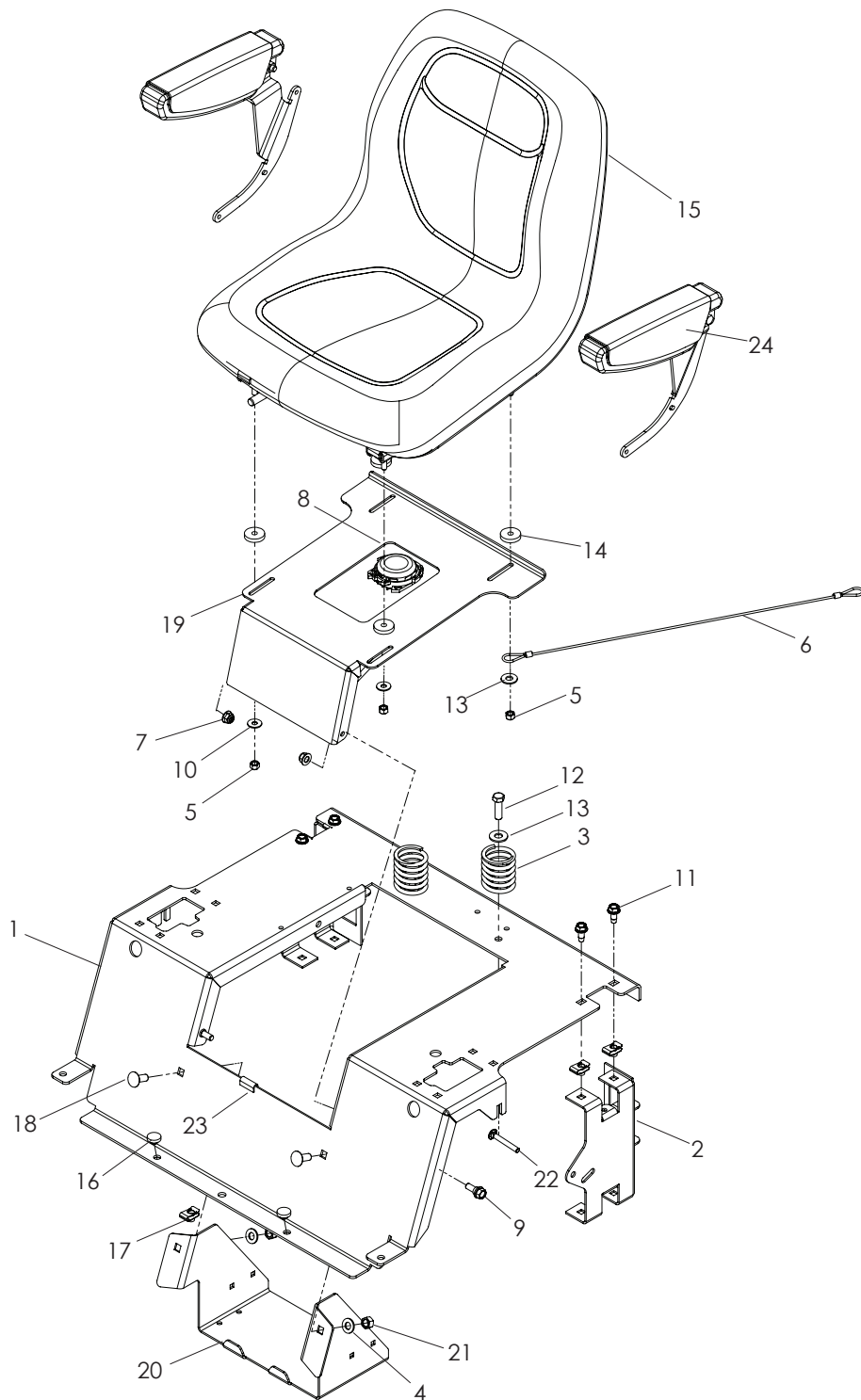
46" DECK

ITEM	PART NO.	QTY.	DESCRIPTION	ITEM	PART NO.	QTY.	DESCRIPTION
1..	539 104864....	2....	WASHER $\frac{7}{16}$ FLAT	26..	539 132728....	1....	PULLEY, IDLER
2..	539 107518....	2....	STRIPPER, ROUND	27..	539 112076....	1....	BUSHING, IDLER
3..	539 107610....	3....	WHEEL, GAUGE	28..	539 109562....	2....	WASHER $\frac{3}{8}$ X $\frac{3}{4}$
4..	777 405380....	2....	BLADE, 46" HI-LIFT	29..	539 100145....	1....	RHSNB $\frac{3}{8}$ -16 X 2
5..	539 107520....	2....	WASHER/SPACER	30..	539 115574....	1....	EYE BOLT $\frac{5}{16}$ X $3\frac{1}{2}$
6..	539 107590....	2....	NUT $\frac{9}{16}$ TOP CNTRLK	31..	539 990799....	7....	RHSNB $\frac{5}{16}$ -18 X $\frac{5}{8}$
7..	539 107608....	3....	BOLT $\frac{1}{2}$ X $2\frac{5}{8}$ SHOULDER	32..	539 990717....	8....	NUT $\frac{5}{16}$ -18 HEX NYLOC
8..	532 415598....	1....	PORT, WASHOUT	33..	539 976979....	4....	NUT $\frac{3}{8}$ -16 HEX NYLOC
9..	532 405506....	1....	SHIELD, BELT RH	34..	539 990122....	1....	WASHER $\frac{3}{8}$ SAE FLT
10..	532 405507....	1....	SHIELD, BELT LH	35..	539 990585....	2....	NUT $\frac{5}{16}$ -18 HEX WHIZLK
11..	532 403149....	1....	BAFFLE, FRONT	36..	539 117245....	1....	BELT, DECK
12..	532 403150....	1....	BAFFLE, FRONT RH	37..	539 108461....	1....	BOLT $\frac{1}{4}$ -20 X $\frac{1}{2}$ HWST
13..	532 193003....	2....	BOLT WASHER ASSM	38..	539 120920....	1....	SPRING, DECK BELT
14..	532 192557....	1....	BRACKET, DEFLECTOR	39..	539 107630....	8....	SCREW $\frac{5}{16}$ -18 WSHR HD
15..	532 405357....	1....	SHIELD, DEFLECTOR	40..	539 107631....	4....	SCREW $\frac{1}{4}$ -20 X $\frac{5}{8}$ THDROLL
16..	539 107515....	2....	HOUSING, CUTTER	41..	539 104870....	1....	HCS $\frac{7}{16}$ -14 X $2\frac{1}{2}$
17..	539 113962....	2....	PULLEY, DECK	42..	539 119124....	1....	NUT $\frac{7}{16}$ -14 HEX
18..	539 107609....	1....	SPRING, TORSION	43..	539 990627....	1....	HCS $\frac{5}{16}$ -18 X $1\frac{1}{4}$
19..	539 107627....	1....	CAP, SLEEVE	44..	522 745001....	1....	DECK w/DECALS
20..	539 110462....	1....	ROD, HINGE	45..	532 416405....	1....	COUPLING, QUICK CONN
21..	539 107626....	1....	PUSHNUT	46..	539 113224....	1....	DECAL, WARNING
22..	532 195161....	2....	STUD, w/ANTI-ROTATE	47..	510 240201....	1....	DECAL, BELT ROUTING
23..	539 112899....	3....	NUT $\frac{5}{16}$ -18 FLANGE NYLOC	48..	539 913010....	1....	DECAL, WARNING
24..	532 196104....	1....	PULLEY, IDLER	49..	539 105746....	1....	DECAL, SEVERING
25..	522 706202....	1....	ARM, IDLER				

54" DECK

ITEM	PART NO.	QTY.	DESCRIPTION	ITEM	PART NO.	QTY.	DESCRIPTION
1..	539 108461....	1....	BOLT ¼-20 x ½ HWST	27..	539 114557....	1....	BELT, DECK
2..	539 112057....	3....	HOUSING, CUTTER	28..	539 990188....	1....	WASHER 5/16 SAE FLAT
3..	777 187256....	3....	BLADE, BAGGING	29..	539 990717..	12....	NUT 5/16-18 HEX NYLOC
4..	539 107610....	5....	WHEEL, GAUGE	30..	539 990122....	4....	WASHER 3/8 SAE FLT
5..	539 107608....	4....	BOLT ½ x 25/8 SHOULDER	31..	539 110462....	1....	ROD, HINGE
6..	532 195161....	2....	STUD, w/ANTI-ROTATE	32..	539 107626....	1....	PUSHNUT
7..	539 112171....	3....	PULLEY	33..	539 107609....	1....	SPRING, TORSION
8..	529 107520....	3....	WASHER/SPACER	34..	539 107627....	1....	CAP, SLEEVE
9..	539 107590....	3....	NUT 9/16 TOP CNTRLK	35..	539 109554....	2....	WASHER ½ FLAT
10..	539 112054....	1....	DEFLECTOR, 54"	36..	539 976989....	2....	HAIRPIN #4
11..	539 100145....	2....	RHSNB 3/8-16 x 2	37..	539 112059....	1....	BAFFLE, RIGHT 54
12..	539 113558....	1....	BELT SHIELD, RT	38..	539 112060....	1....	BAFFLE, LEFT 54"
13..	539 990585....	3....	NUT 5/16-18 HEX WHIZLK	39..	539 112062....	1....	BAFFLE, CENTER 54"
14..	532 196106....	2....	PULLEY, IDLER	40..	539 990799....	7....	RHSNB 5/16-18 x 5/8
15..	539 990517....	2....	WASHER 3/8 FLAT STD	41..	539 107522....	3....	BOLT WASHER ASSM
16..	539 976979....	6....	NUT 3/8-16 HEX NYLOC	42..	539 107630..	12....	SCREW 5/16-18 WSHR HD
17..	539 990316....	1....	RHSNB 5/16-18 x 3/4	43..	539 107631....	4....	SCREW ¼-20 x 5/8 THDROLL
18..	539 113557....	1....	BELT SHIELD, LT	44..	532 415598....	1....	PORT, WASHOUT
19..	539 112899....	1....	NUT 5/16-18 FLANGE NYLOC	45..	539 112620....	1....	DECAL, BELT ROUTING
20..	510 220002....	1....	ARM, IDLER	46..	539 990799....	4....	RHSNB 5/16-18 x 1
21..	539 115574....	1....	EYE BOLT 5/16 x 3½	47..	522 745101....	1....	DECK w/ DECALS
22..	539 120920....	1....	SPRING, DECK BELT	48..	532 416405....	1....	COUPLING, QUICK CONN
23..	532 196104....	1....	PULLEY, IDLER	49..	539 113224....	1....	DECAL, WARNING
24..	539 104864....	3....	WASHER 7/16 FLAT	50..	539 913010....	1....	DECAL, WARNING
25..	539 104870....	1....	HCS 7/16-14 x 2½	51..	539 105746....	1....	DECAL, SEVERING
26..	539 119124....	1....	NUT 7/16-14 HEX				

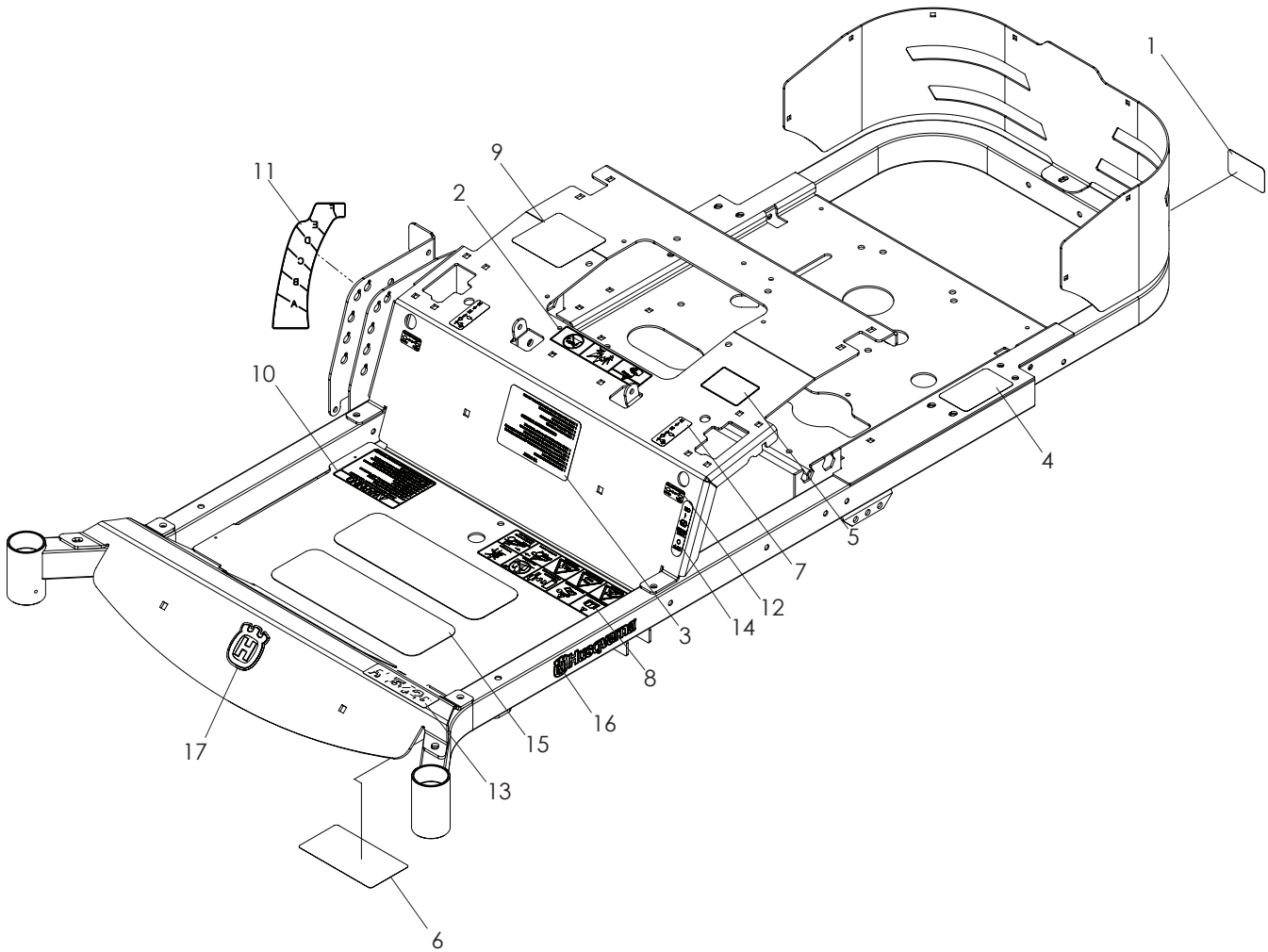
SEAT



SEAT

ITEM	PART NO.	QTY.	DESCRIPTION	ITEM	PART NO.	QTY.	DESCRIPTION
1..	522 545402....	1....	SUPPORT, SEAT	14..	539 115789....	4....	WASHER, NYLON
2..	510 182902....	2....	SUPPORT, REAR SEAT	15..	522 596701....	1....	SEAT
3..	539 110300....	2....	SPRING, SEAT	16..	539 102587....	2....	GROMMET, BUMPER
4..	539 990122....	4....	WASHER ³ / ₈ SAE FLAT	17..	539 104763....	5....	RETAINER, U TYPE
5..	539 990717....	4....	NUT ⁵ / ₁₆ -18 HEX NYLOC	18..	539 990645....	2....	RHSNB ³ / ₈ -16 x 1
6..	539 103247....	1....	LANYARD, SEAT	19..	522 756803....	1....	PAN, SEAT
7..	539 112899....	2....	NUT ⁵ / ₁₆ -18 FLANGE NYLOC	20..	510 231302....	1....	BOX, BATTERY
8..	539 132140....	1....	SWITCH, SEAT	21..	539 976979....	4....	NUT ³ / ₈ -16 HEX NYLOC
9..	539 130896....	2....	BOLT ⁵ / ₁₆ -18 HEX HD SHLDR	22..	510 422701....	2....	RHSNB ⁵ / ₁₆ -18 x 2 ¹ / ₂
10..	539 990692....	3....	WASHER ⁵ / ₁₆ STD FLAT	23..	539 118102....	1....	CLIP
11..	539 107475....	4....	BOLT ⁵ / ₁₆ -18 x ³ / ₄ THD FRM	24..	539 110469....	1....	KIT, ARMREST w/FASTNRS
12..	539 976941....	2....	HCS ³ / ₈ -16 x 1 ¹ / ₄	25..	522 545802....	1....	MOUNT, SPRING SEAT
13..	539 990517....	3....	WASHER ³ / ₈ FLAT STD				

DECALS



DECALS

ITEM	PART NO.	QTY.	DESCRIPTION	ITEM	PART NO.	QTY.	DESCRIPTION
1..	539 101881....	1....	DECAL, PROP 65	11..	521 980501....	1....	DECAL, HEIGHT
2..	539 105745....	1....	DECAL, BATTERY WARNING	12..	539 110974....	2....	DECAL, FST
3..	539 108179....	1....	DECAL, START	13..	521 949315....	1....	DECAL, LSZ4622
4..	539 108385....	1....	DECAL, DO NOT TOW		521 949316 ...	1....	DECAL, LSZ5422
5..	539 108386....	1....	DECAL, EXIT MOWER		521 949317 ...	1....	DECAL, LSZ5424
6..	539 109897....	1....	DECAL, SERVICE	14..	539 120006....	1....	DECAL, PARK BRAKE
7..	539 103333....	2....	DECAL, MOTION CONTROL	15..	539 977778....	3....	ABRASIVE PAD
8..	539 109908....	1....	DECAL, SAFETY WARN	16..	532 422012....	2....	DECAL, HUSQVARNA
9..	539 110522....	1....	DECAL, RESPONSIBILITY	17..	532 422011....	2....	DECAL, CROWN H
10..	539 113213....	1....	DECAL, WARNING				

